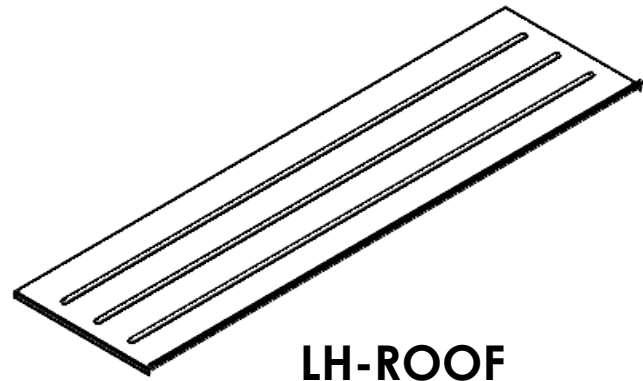
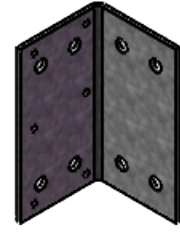


# PARTS AND SUB-ASSEMBLIES OF PENTHOUSE



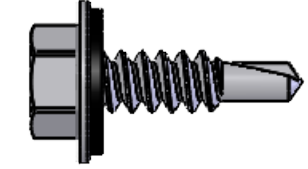
LH-ROOF



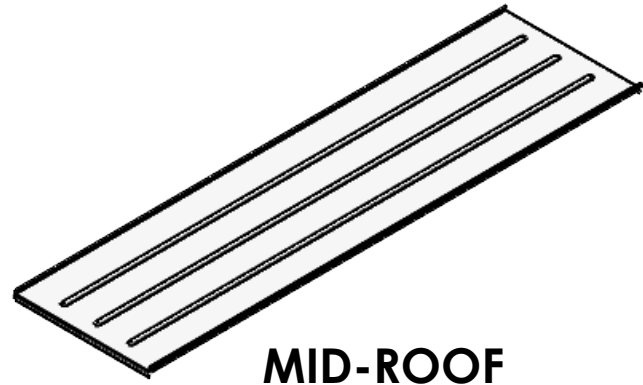
END CONNECTION CLIP



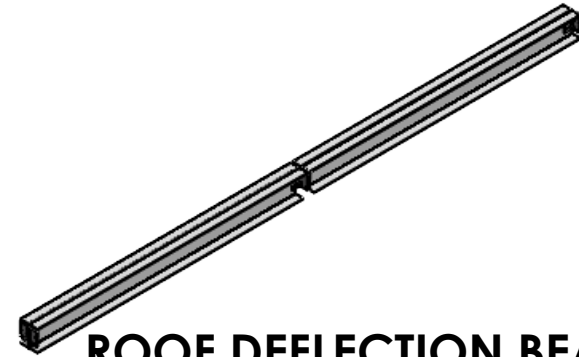
MULLION CORNER



#12-3/4-SELF DRILLING



MID-ROOF



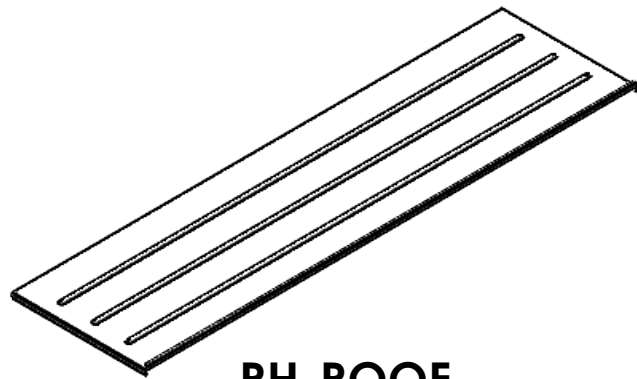
ROOF DEFLECTION BEAM



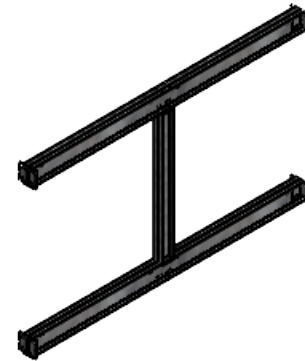
3/8-16 X 2-1/2"  
HEX HEAD BOLT



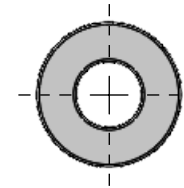
3/8-16X1-1/2"  
HEX HEAD BOLT



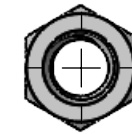
RH-ROOF



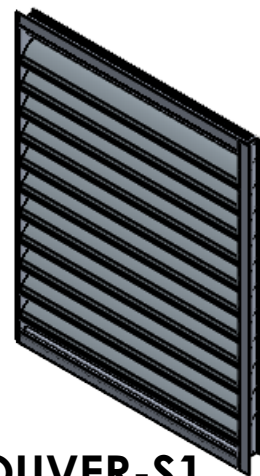
SUPPORT STRUCTURE



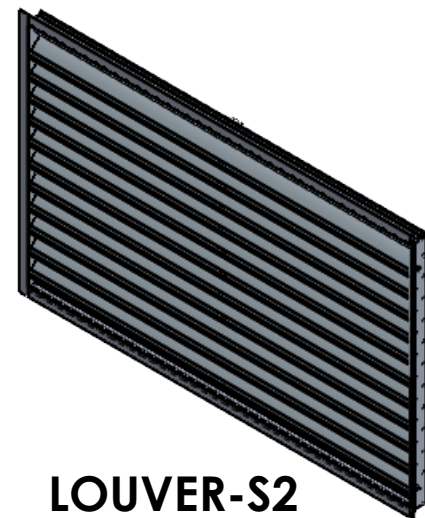
3/8 WASHER



3/8-16  
NUT ZINC PLATED



LOUVER-S1

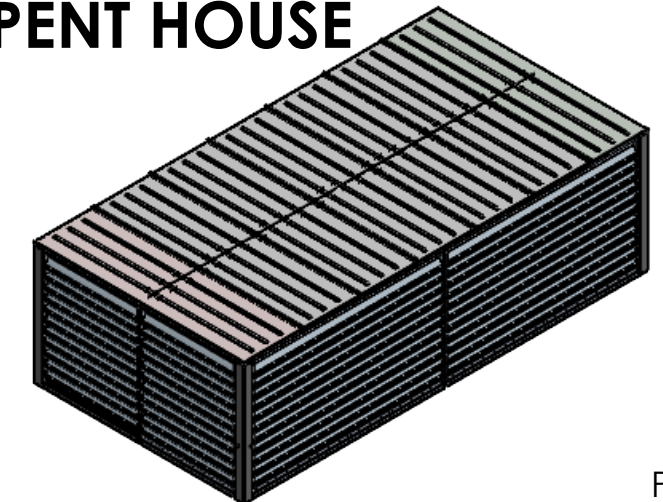


LOUVER-S2



#8-15-3/4\"/>

PENT HOUSE

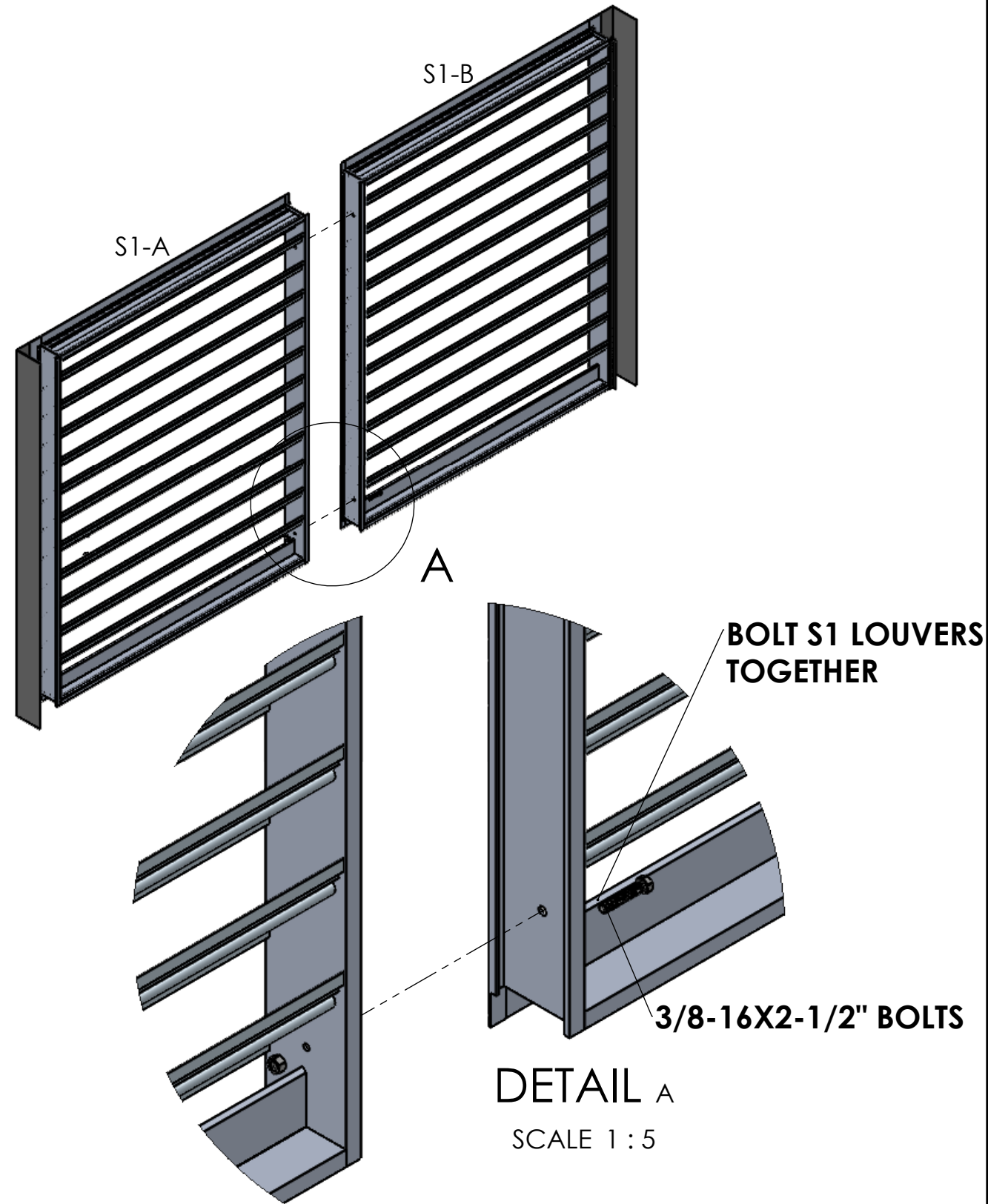


# PENTHOUSE ASSEMBLY INSTRUCTIONS

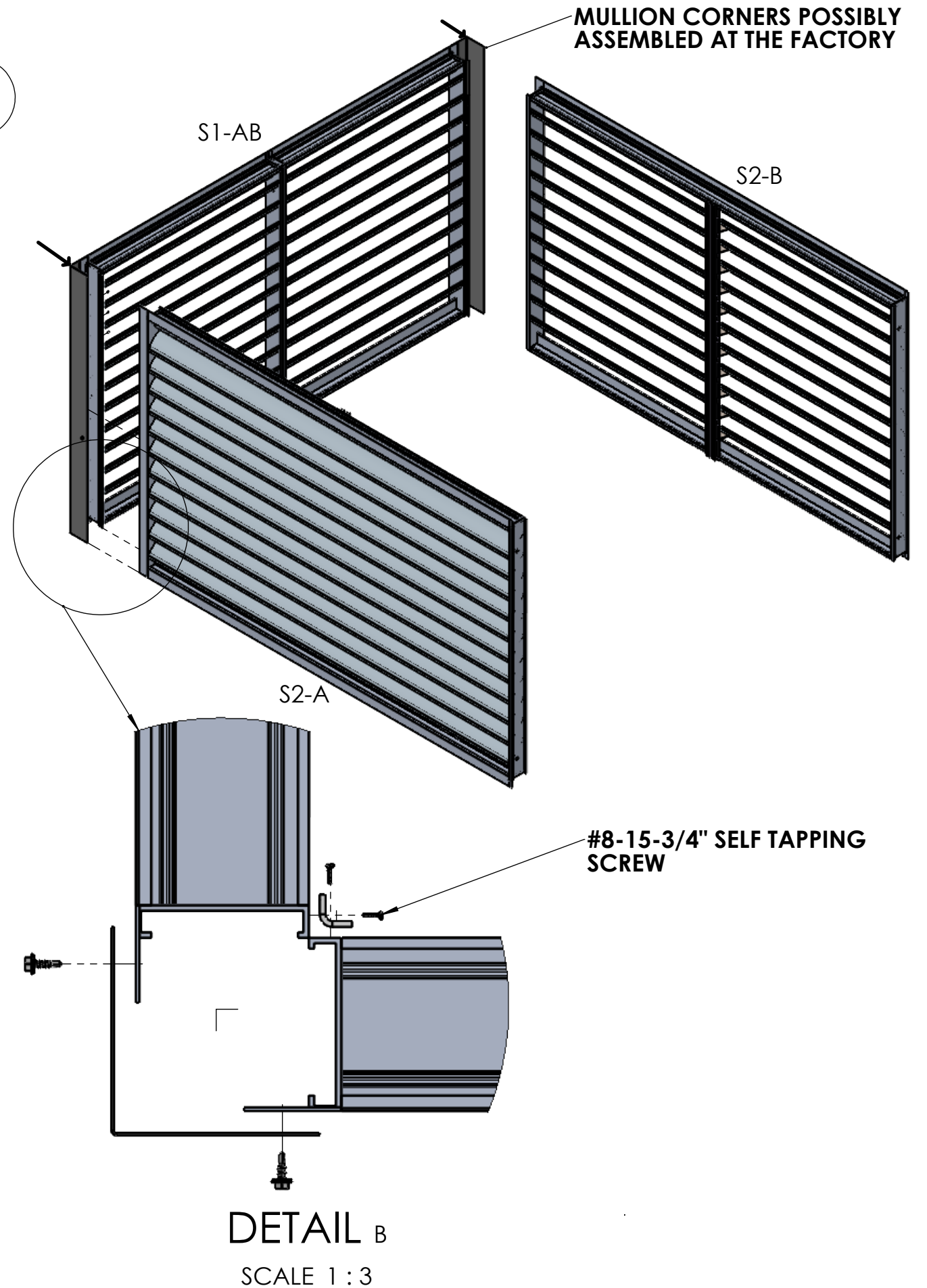
WWW.VENTEXINC.COM  
TEL (905) 857-4700  
PH-IOM-REV1  
NOV-2023



1



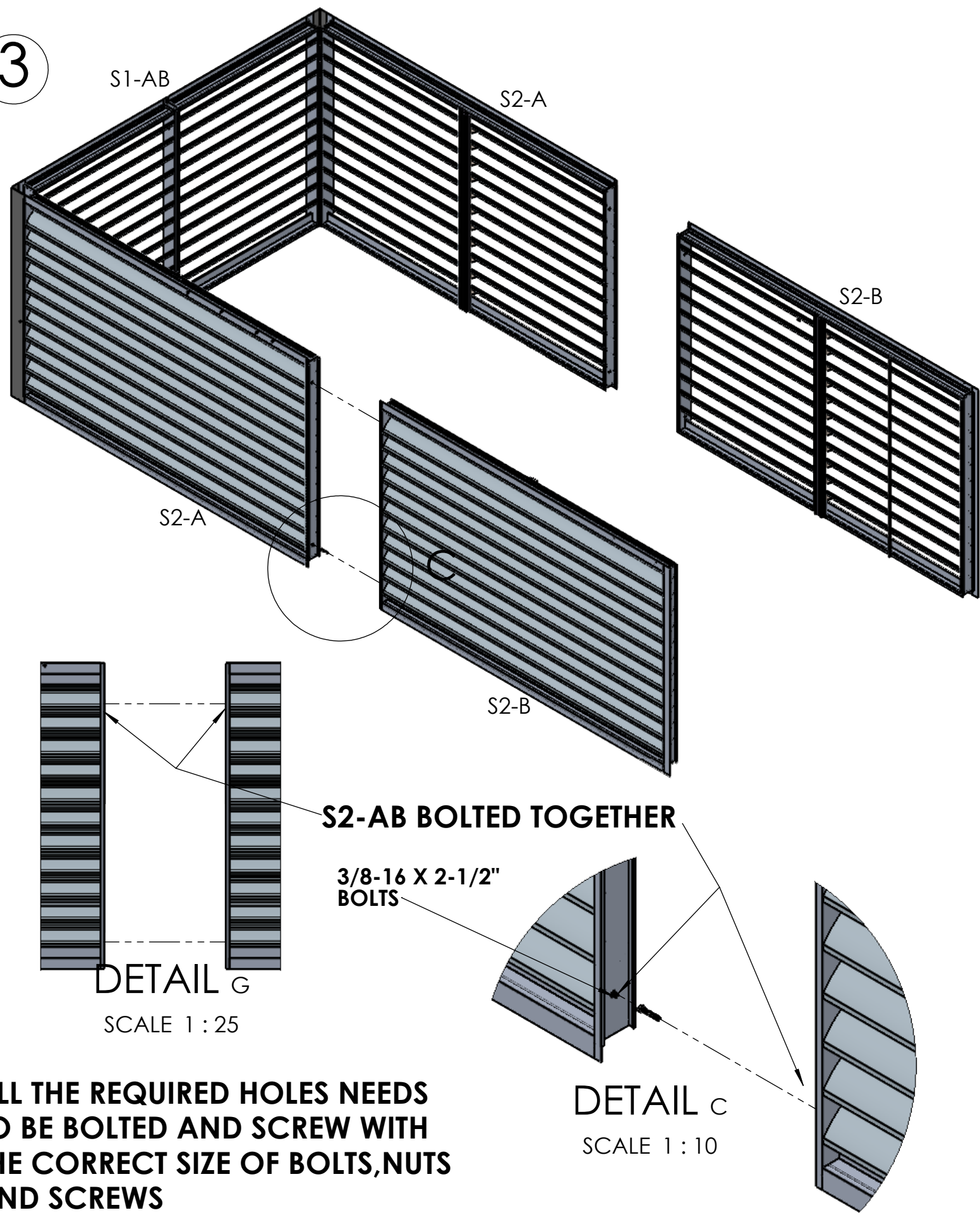
2



ALL THE REQUIRED HOLES NEEDS TO BE BOLTED AND SCREW WITH THE CORRECT SIZE OF BOLTS,NUTS AND SCREWS

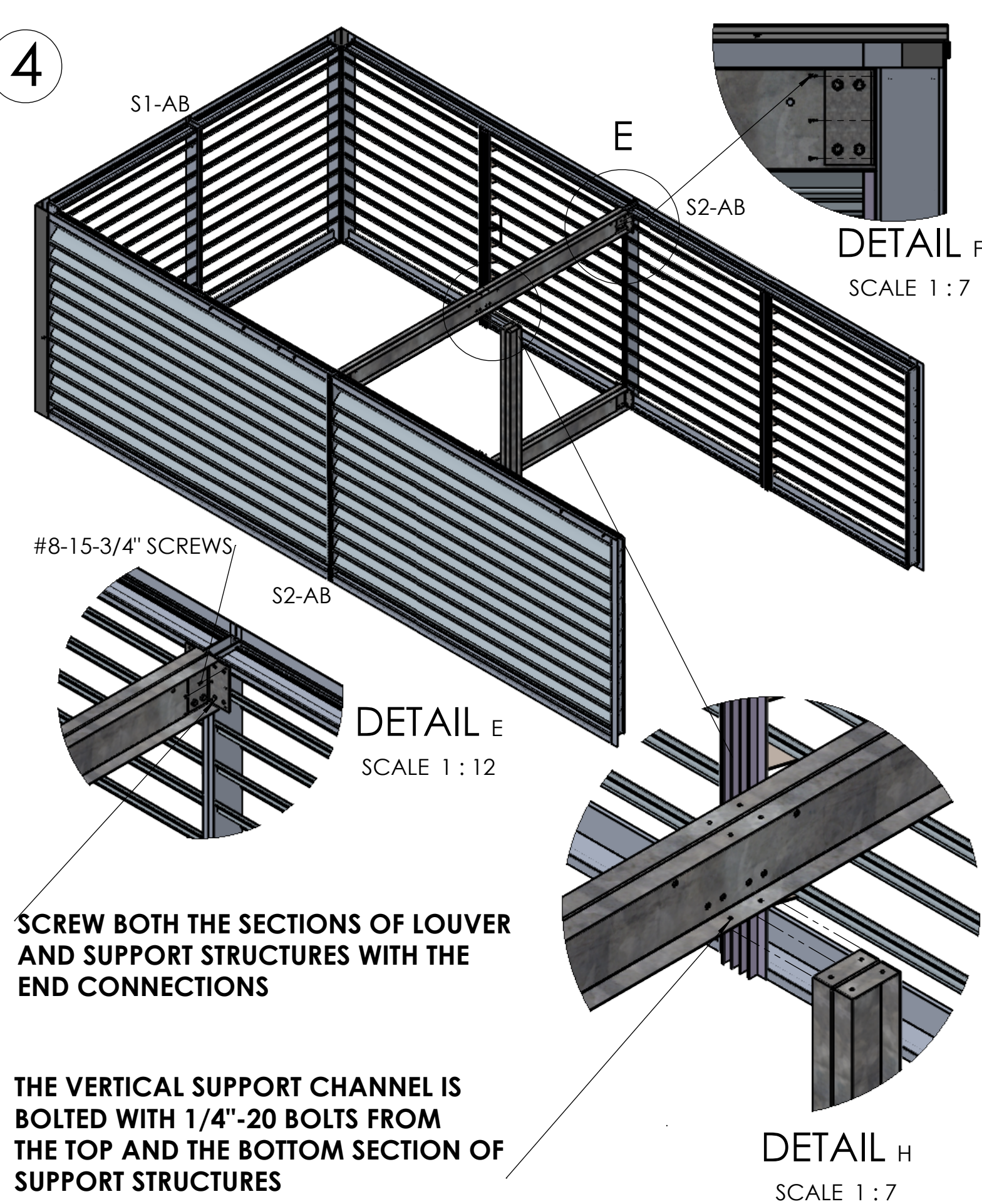
# PENTHOUSE ASSEMBLY INSTRUCTIONS

3



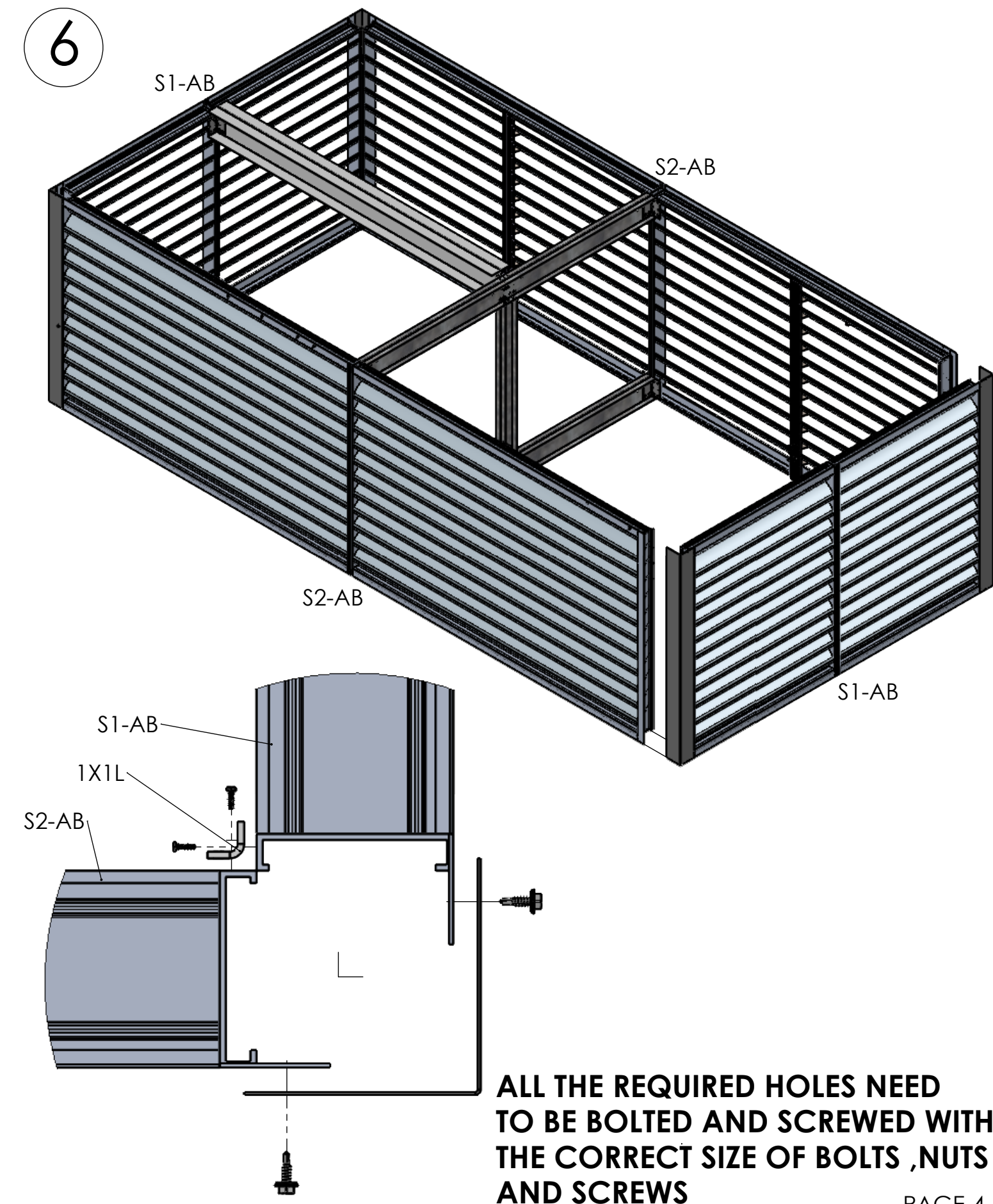
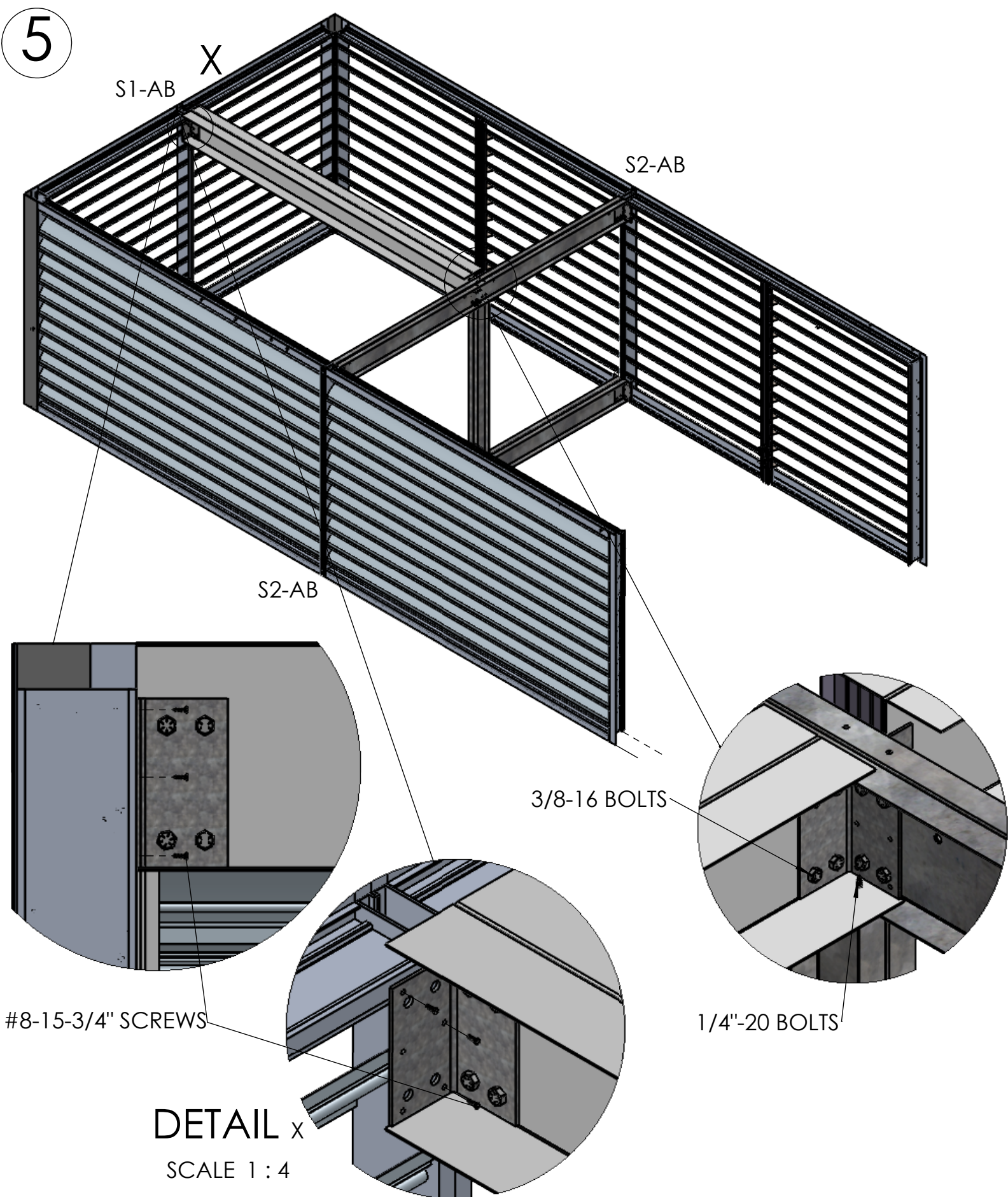
**ALL THE REQUIRED HOLES NEEDS TO BE BOLTED AND SCREW WITH THE CORRECT SIZE OF BOLTS,NUTS AND SCREWS**

4



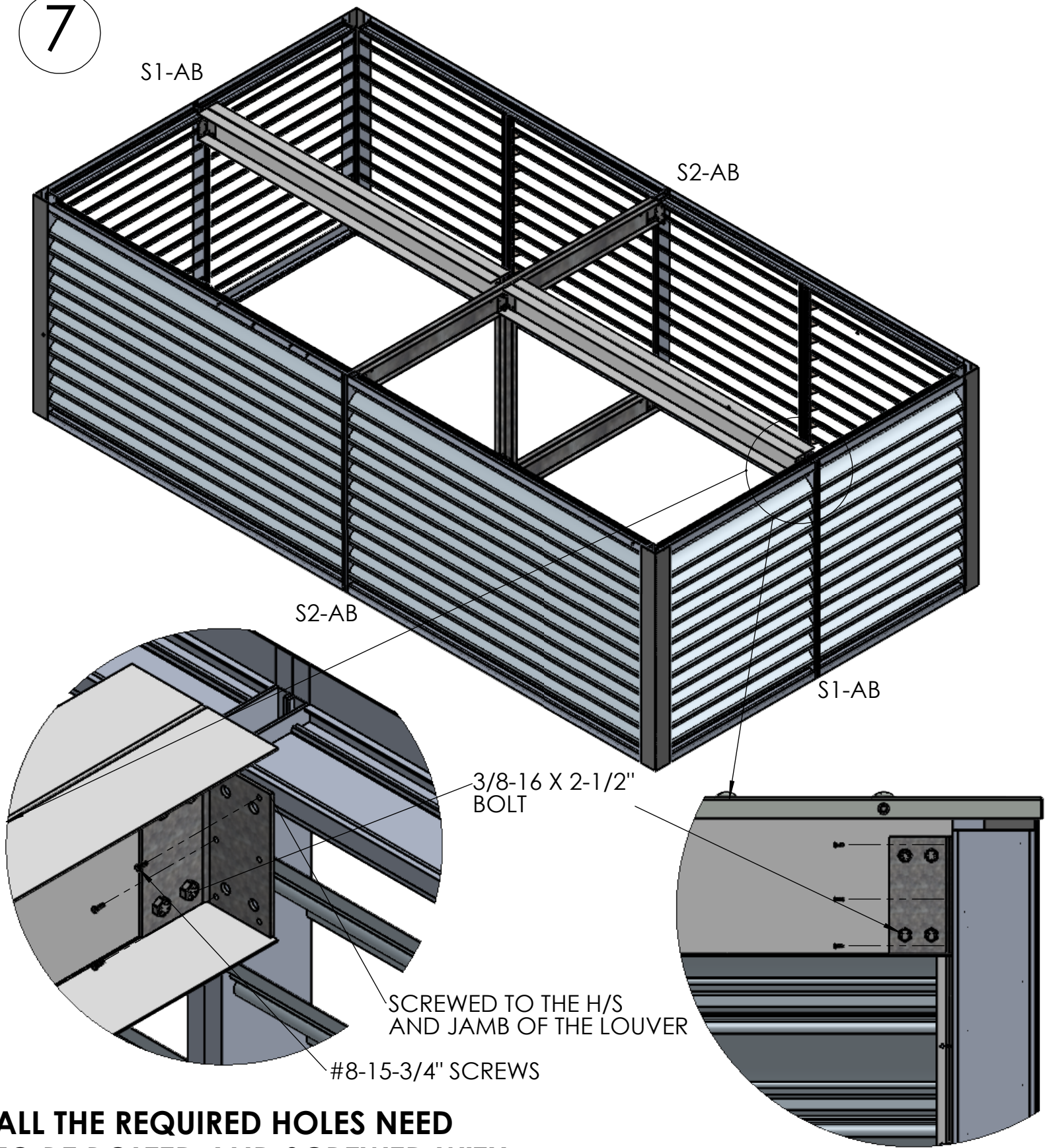
**THE VERTICAL SUPPORT CHANNEL IS BOLTED WITH 1/4"-20 BOLTS FROM THE TOP AND THE BOTTOM SECTION OF SUPPORT STRUCTURES**

# PENTHOUSE ASSEMBLY INSTRUCTIONS

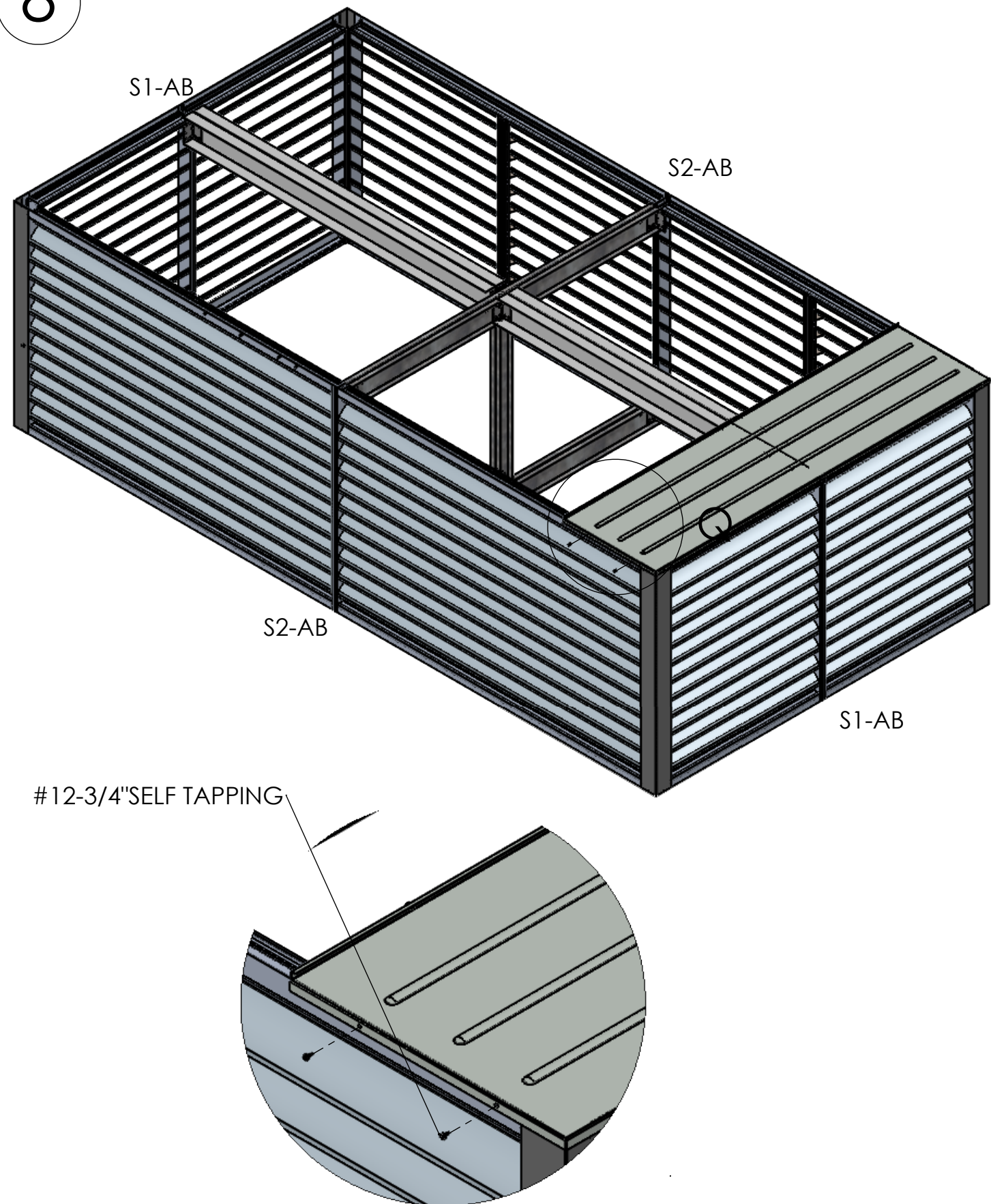


# PENTHOUSE ASSEMBLY INSTRUCTIONS

7

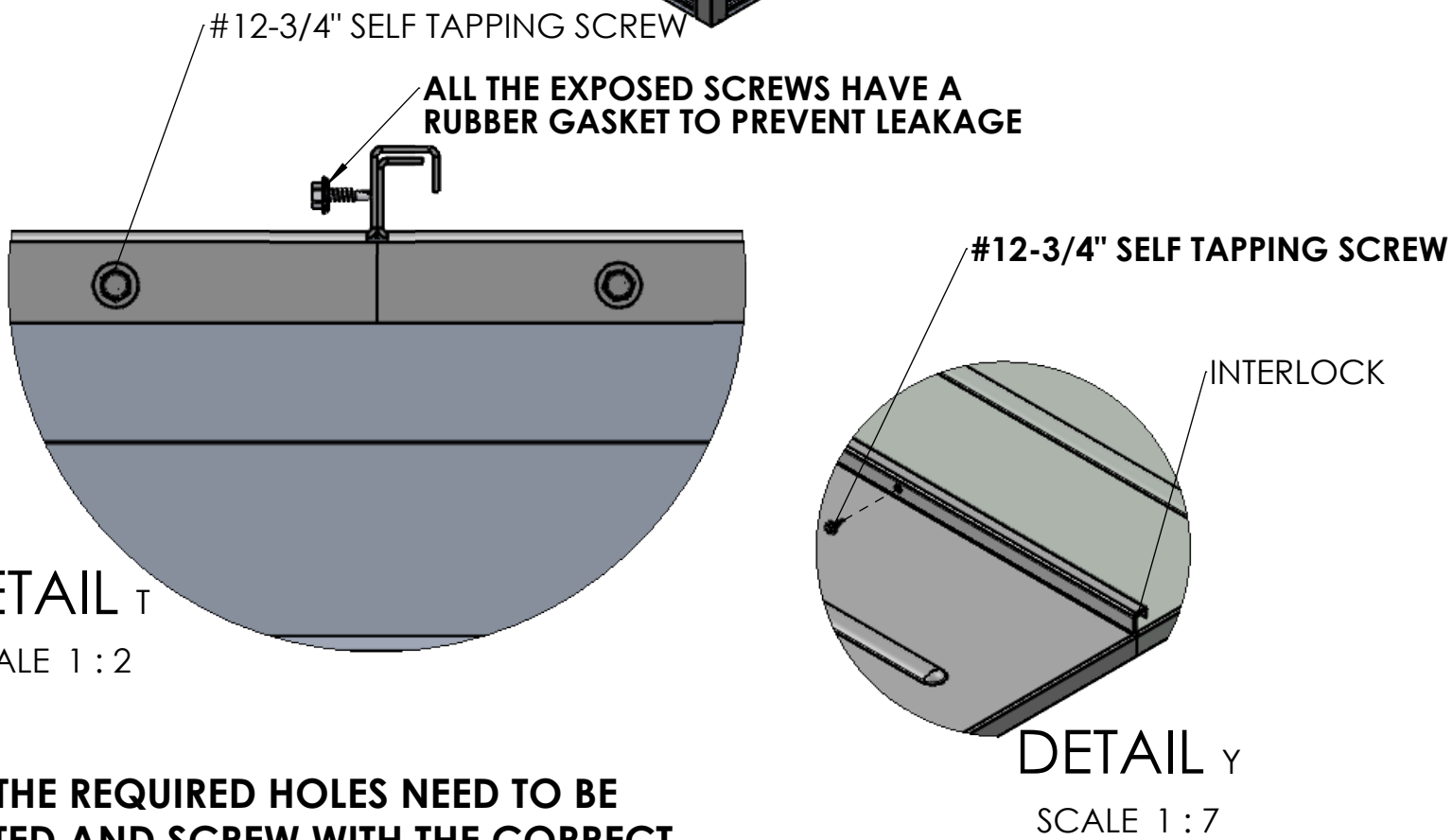
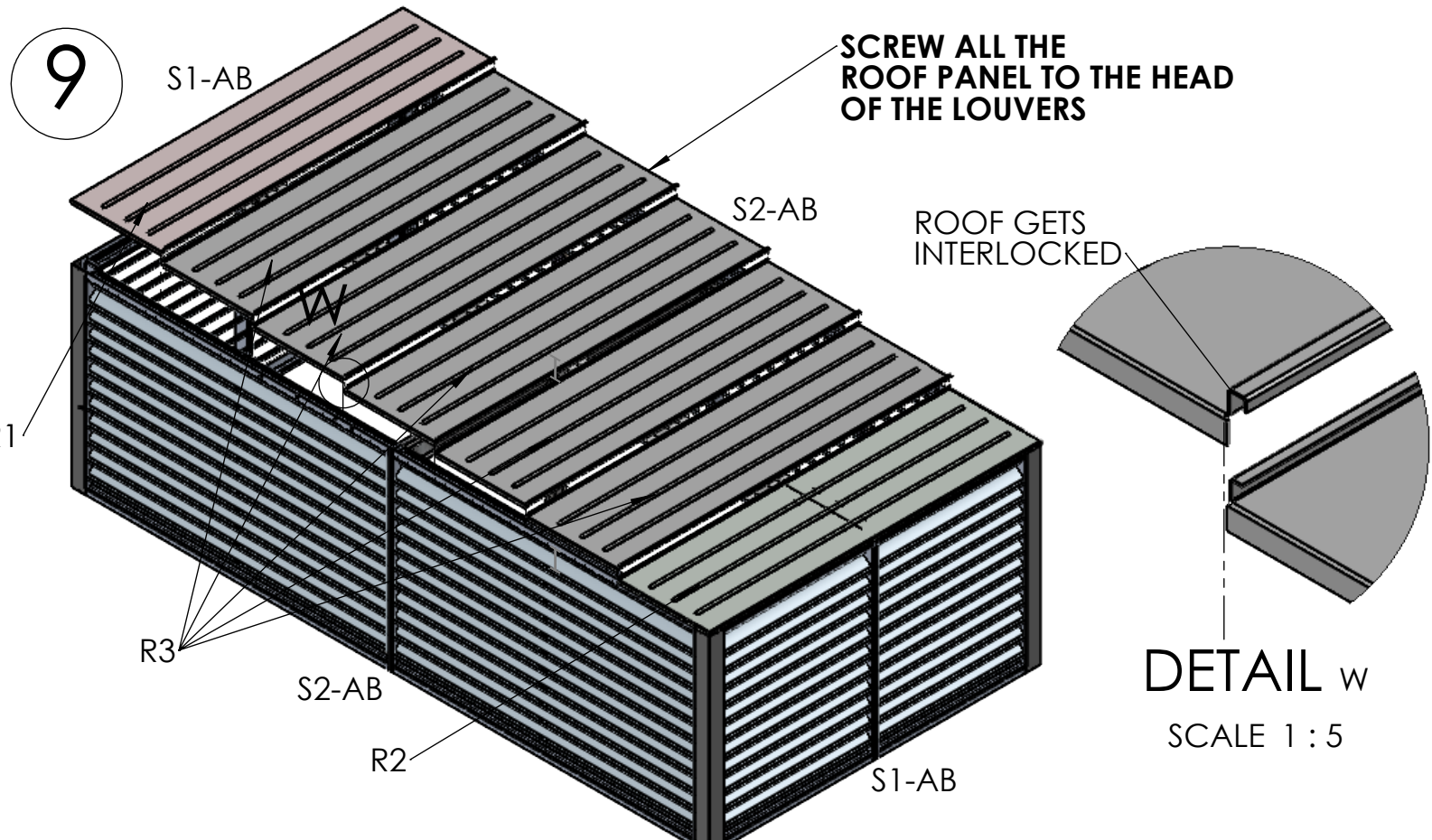


8

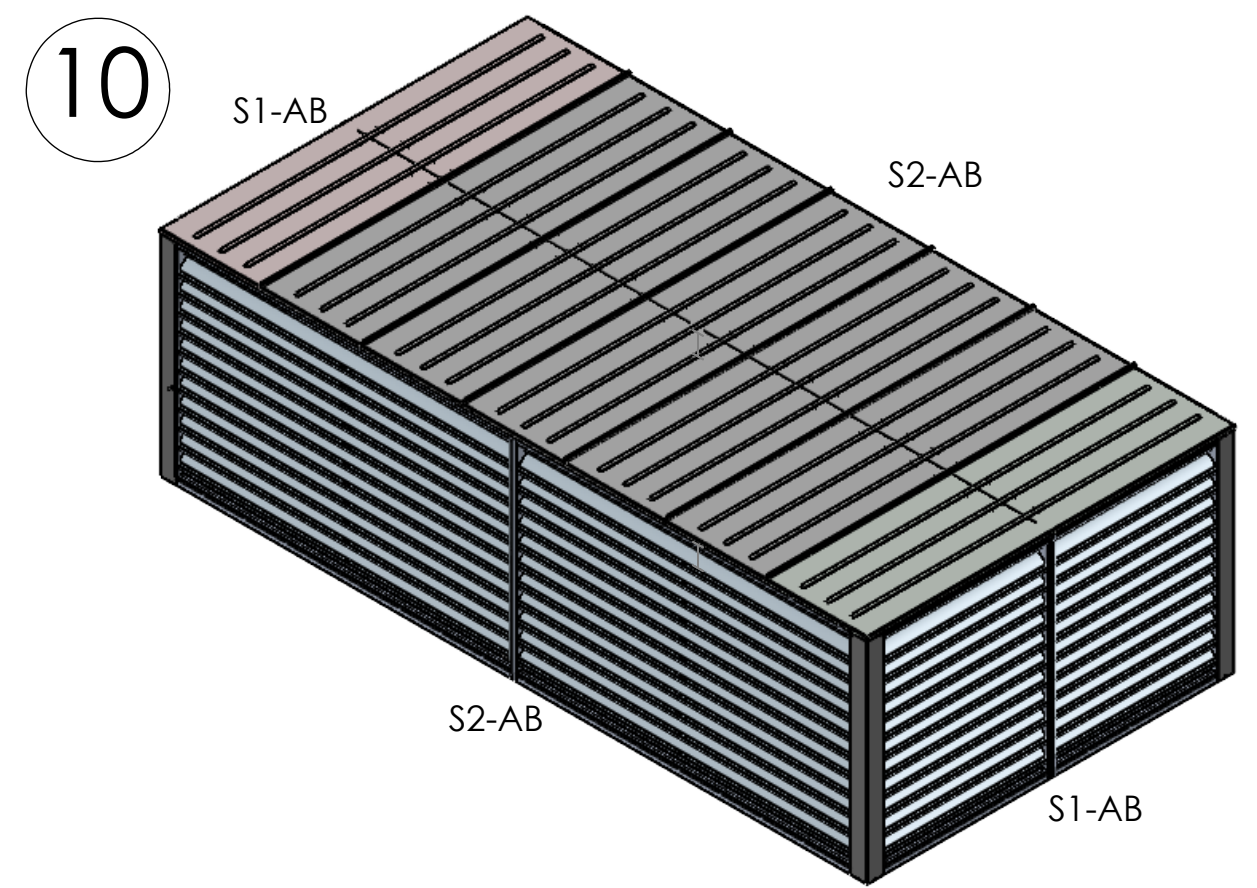


**ALL THE REQUIRED HOLES NEED TO BE BOLTED AND SCREWED WITH THE CORRECT SIZE OF BOLTS ,NUTS AND SCREWS**

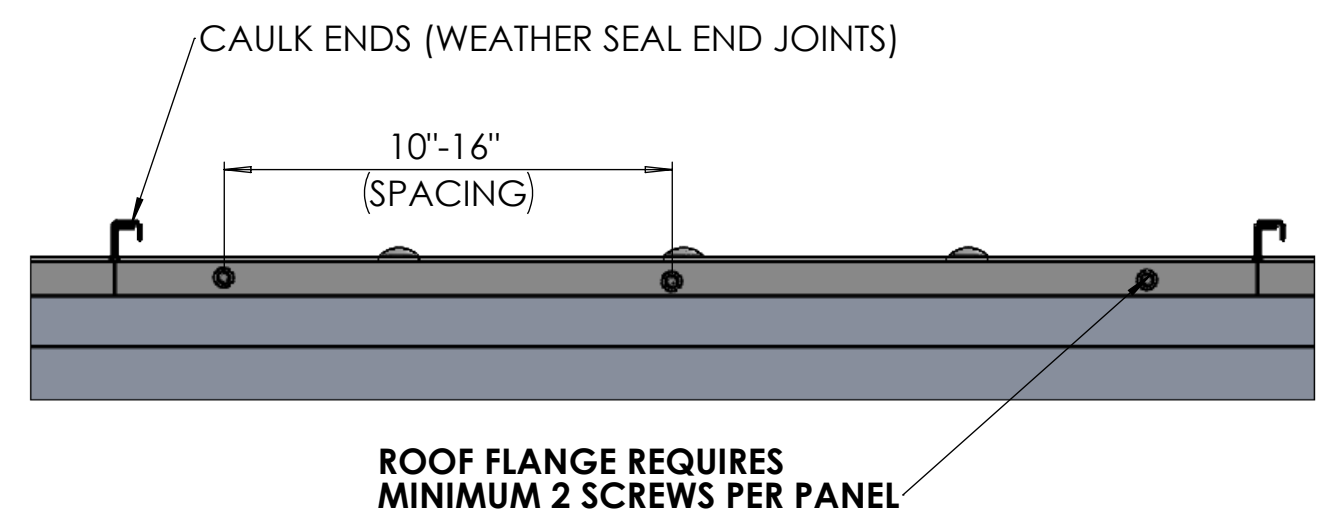
# PENTHOUSE ASSEMBLY INSTRUCTIONS



ALL THE REQUIRED HOLES NEED TO BE BOLTED AND SCREW WITH THE CORRECT SIZE OF BOLTS, NUTS AND SCREWS



COMPLETE ASSEMBLY OF PENTHOUSE



VENTEX DO NOT TAKE THE LIABILITY FOR MOUNTING OR THE DAMAGE THAT OCCURS DURING THE MOUNTING OR INSTALLATION OF PENTHOUSE